

# TENDER DOCUMENT

**No: GCC/0005/2015**

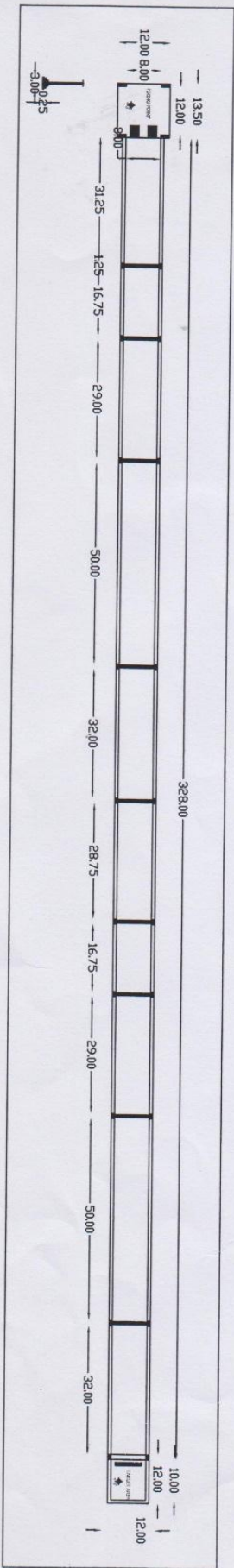
Gun & Country Club Islamabad hereby invites sealed tenders from suppliers / firms, on item rate basis, for the below heads and other items as per Annexures

## **GENERAL TERM & CONDITIONS**

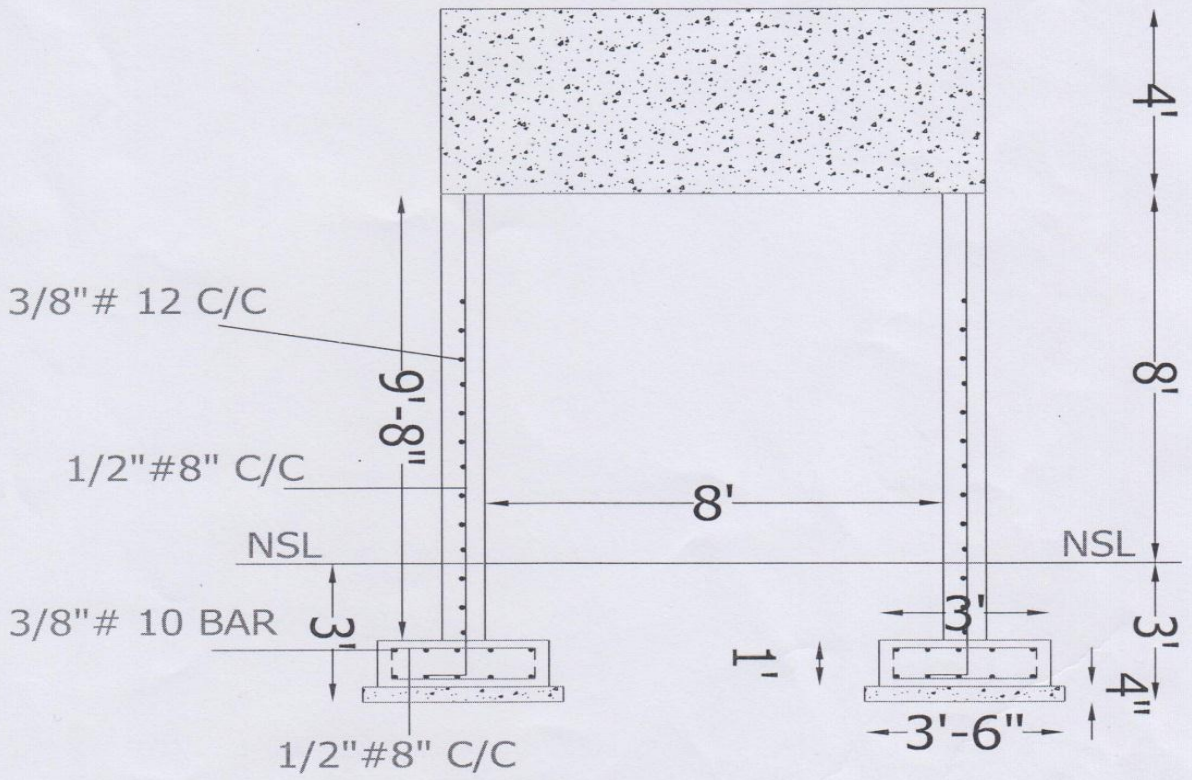
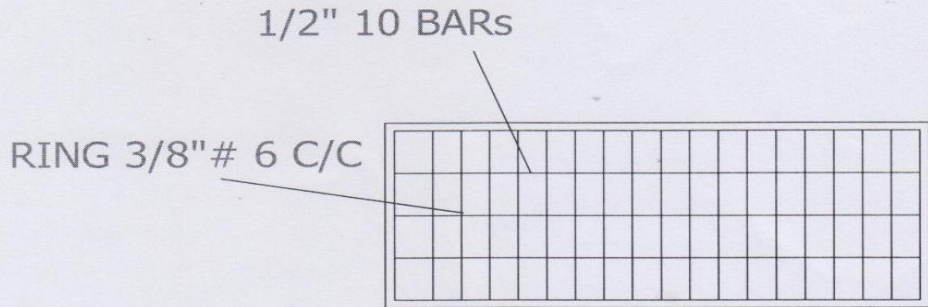
1. All participating firms should be registered with income tax and PEC registered firm for construction of **100 Meter Shooting Range**  
(*Registration numbers should be clearly mentioned and valid documentary evidence be attached*).
2. The firms should have a minimum of 5 years of experience.
3. Sealed tenders are required to reach the undersigned on or before **10<sup>th</sup> September, 2015** before close of business i.e. 5:00 p.m. along with a cross cheque/Pay Order of **Rs.1,000/-** in favor of “Gun & Country Club Islamabad” (Non-refundable) as bid money.
4. All quotations should be submitted on proper letter head.
5. The rates quoted shall be considered valid for the period of 6 months. The firms will be bound to deliver the goods of the approved quality at Gun & Country Club Islamabad on agreed rates. No delivery charges will be paid.
6. All quotations should be addressed to :  
**WORKING COMMITTEE**  
Gun & Country Club Islamabad  
Pakistan Sports Complex,  
Islamabad. Pakistan  
P.O.Box No. 3017
7. The bids should not have any over-writing or cutting. Bids with any of the aforementioned defects will not be considered.
8. Incomplete quotations, quotations not conforming to tender requirements or with vague replies will not be considered.
9. Firms should clearly state whether the quoted prices are **INCLUSIVE** or **EXCLUSIVE** of government taxes.
10. All the taxes levied must also be clearly stated.
11. Payments of the bills and invoices will be subject to the deduction of government taxes.
12. The selected firm should complete the delivery of items as per Gun & Country Club Islamabad schedule.
13. 10% of the contract value will be retained from the payment as retention money & will be released after six month of the satisfactory work.
14. The sealed envelope must be super scribed with “**GCC/0005/2015**”.
15. Gun & Country Club reserves the right to extend the opening date of the bids, cancel the tender or accept / reject any or all bids, without assigning any reason.
16. The Procurement Committee may ask the bidders to provide samples of the quoted items.

ESTIMATED COST OF 100 METER FIRING RANGE AT GUN & COUNTRY CLUB

S. No.	DESCRIPTION	QUANTITY (Cft.)	RATE	AMOUNT
1	Excavation	5,526		
2	P.C.C.	587		
3	R.C.C.	5,651		
4	Bricks	101		
5	Fiber Roof	---		
6	Floor	162		
SUB TOTAL				
<u>TOTAL</u>				







WALL FOUNDATION DETAIL

